



MARK Gekko Speed Instruction manual

Anchor point • Personal protective equipment (PPE) against falls from a height

EN 795: 2012 Class A1

TS 16415: 2013



English translation of the original German instruction manual
Keep for future reference
Version 1.2

MARK Save A Life GmbH
Gleinkerau 23
4582 Spital am Pyhrn
Österreich / Europa
Tel +43 7563 8002 - 111
Fax +43 7563 8041 - 111
mark@savealife.at
www.savealife.at

Making your life safer.

Dear Customer,

Thank you very much for buying this product. We have manufactured and tested it with the utmost care, keeping to the strictest quality guidelines. In doing so, we have laid the foundations for a safe product, but now it is over to you to make sure it is used correctly.



You must read this instruction manual carefully to ensure you are able to use the product properly and safely. Always follow all hazard warnings and safety notices in the relevant sections of these instructions.

You may only use this product if you are physically and mentally capable of doing so and have read and understood this instruction manual.

Always keep the instruction manual, the installation report and the inspection report together with the other relevant product documents for future reference. If the instruction manual and the inspection report are lost or have become unusable, you can download the latest versions of these documents from www.savealife.at.

Do you have questions about this product? Do you have any requests or suggestions? Just give us a call or send us an email!

Customer Service

MARK Save A Life GmbH
Gleinkerau 23
4582 Spital am Pyhrn
Austria/Europe
Tel. +43 (0) 7563 8002 111
Fax +43 (0) 7563 8041 111
mark@savealife.at
www.savealife.at

Manufacturer

MARK Save A Life GmbH, Gleinkerau 23, 4582 Spital am Pyhrn, Austria/Europe

Country of origin

Austria

Copyright

MARK Save A Life GmbH, Gleinkerau 23, 4582 Spital am Pyhrn, Austria/Europe

DEFINITIONS

COMPETENT PERSON	Trained by MARK Save A Life. The competent person is authorised to inspect the product for proper function.
ANCHOR DEVICE	MARK Gekko, MARK Boa or another anchor device that meets the applicable technical standards for PPE against falls from a height.
DESCENDER/RESCUE DEVICE	MARK Falcon, MARK Hawk, MARK Elephant, MARK Elephant Hub or a descender/rescue device that meets the applicable requirements of the Regulation on PPE.



Figure 1

Where only male pronouns are used in the interest of making this document easier to read, the intent is always to include both sexes.

1 FOR YOUR SAFETY	5
1.1 Symbols used	5
1.2 Requirements of the user	6
1.3 Visual and functional inspection	6
1.4 Use	6
1.5 Storage and transport	7
1.6 Maintenance	7
1.7 Accidents - rescue plan	7
2 PRODUCT DESCRIPTION	8
2.1 Technical data	8
2.2 Labelling	8
2.3 Scope of delivery	8
2.4 Accessories	9
2.5 Redundancy	9
2.6 Rescue operations	9
2.7 Overload	9
2.8 Temperature range	9
3 USE	10
3.1 Intended use	10
3.1.1 Anchor device according to EN 795 Class A1	10
3.1.2 Multiple use	10
3.2 Anchor point	11
3.3 Service life and duration of use	11
4 INSTALLATION	12
4.1.1 Concrete/Reinforced concrete/Solid brick/Sand-lime brick	13
5 TRANSPORT AND STORAGE	14
6 MAINTENANCE	14
6.1 Repairs	14
6.2 Cleaning	14
7 CHECKS	15
7.1 Visual and functional inspection	15
7.2 Periodic inspections	16
8 DISPOSAL	16
9 RE-SALE	16
10 ACCIDENTS	17
10.1 Suspension trauma	17

11 LEGAL INFORMATIONEN	19
11.1 Declaration of compliance	19
11.2 Exclusion of product liability	19
11.3 Copyright notice	19
11.4 Trademark notice	19
12 DECLARATION OF CONFORMITY	20
13 INSTALLATION REPORT	21
14 INSPECTION REPORT	24

1 FOR YOUR SAFETY

Activities that require use of this product can often be dangerous and there are many potential ways of using it incorrectly; however, it is not possible for us to state them all here or even to come up with an exhaustive list.

This instruction manual contains information pertaining to the safety and function of MARK Gekko Speed and its applications. However, the information and instruction herein are no substitute for experience, personal responsibility and knowledge, nor do they release the user from his own individual risk.

You will find detailed safety regulations and related descriptions in this chapter and before the sections concerned. These safety instructions must be read and understood before using this product. Do not hesitate to contact MARK Save A Life if anything is unclear.

This is a state-of-the-art product that meets the applicable technical standards for PPE and the requirements of the Austrian PPE Safety Regulation.

1.1 Symbols used

This instruction manual contains safety regulations in the following categories: **DANGER, WARNING, CAUTION** and **NOTE**. Always observe these safety regulations to prevent personal injury or damage to the product.



DANGER

DANGER indicates an imminent hazard that will lead to very severe injury or death.

- To avoid very severe injury or fatal accidents, it is essential that you comply with all safety notices bearing this hazard warning symbol.



WARNING

WARNING indicates a potentially dangerous situation that could lead to severe injury or death.

- To avoid potentially fatal accidents or serious injury, it is essential that you comply with all safety notices bearing this hazard warning symbol.



CAUTION

CAUTION indicates a potentially dangerous situation that could lead to minor or moderate injury.

- To avoid minor to moderate injury, it is essential that you comply with all safety notices bearing this hazard warning symbol.



NOTE

NOTE indicates a potentially detrimental situation that could lead to the product or another object in its vicinity becoming damaged.

- Information about this product is also identified by the text **NOTE**. To avoid possible product or material damage, it is essential that you follow all such notes.

1.2 Requirements of the user

- Read the instruction manual carefully before you use this product.
You may only use this product once you have read and understood the instruction manual.
- Only use this product as an anchor point for personal protective equipment.
- This product may only be used by two people simultaneously under certain circumstances.
- Only use this product if you are in good physical and mental health.

1.3 Visual and functional inspection

- The visual and functional inspection must be carried out by MARK Save A Life or a competent person. MARK Save A Life offers 'competent person' training.
- This product must be inspected for proper function before and after each use (e.g. for any damage to the buckle).
- After it has been subjected to a heavy load (for instance, from a person falling when attached to a rope fastened to the anchor point), the product must be properly disposed of (e.g. by disconnecting and removing the buckle).
- If for any reason it seems unsafe to continue using this product (if the buckle is damaged, for example), under no circumstances should it be used again; instead, dispose of it properly and replace it with a new one.
- The inspection report must be completed in full. The details of every inspection must be entered.

1.4 Use

- The product has an unlimited service life.
- Protect the product from sharp-edged objects, welding sparks, sources of fire, chemicals, oils, acids, etc.
- This product may only be used in conjunction with tested (certified) and approved accessories that meet the applicable technical standards for PPE and the requirements of the Austrian PPE Safety Regulation (PSA-Sicherheitsverordnung).
- The product may only be sold on to a third party if it is supplied together with instruction manual in the relevant national language.

1.5 Storage and transport

- Always store this product in a clean and dry place, where it is protected from mechanical hazards (e.g. sharp-edged objects) and the influence of chemicals (e.g. acids, alkalis).
- Transport and store this product in the packaging supplied or equivalent packaging.

1.6 Maintenance

- If it is stored correctly and not subjected to a load, this product has an unlimited service life. However, this service life may decrease drastically depending on the type of use and external influences. This product may need to be replaced after just one use.
- Repairs to the product may only be carried out by MARK Save A Life.
- If this product has been subjected to a fall from a height, withdraw it from service.
- A competent person must inspect this product at least once a year. The result of the inspection must be entered in the inspection report.

1.7 Accidents – rescue plan

- Suspension trauma can occur if a person falls whilst attached to a safety rope, has to make a lengthy descent or is left 'helplessly' hanging by a rope for a long period of time.
- Before this product is used, a rescue plan must be drawn up that covers all rescue measures for all possible emergency situations.
- Before each use, inspect the application area and the fall space; rectify, minimise or make safe any hazards.

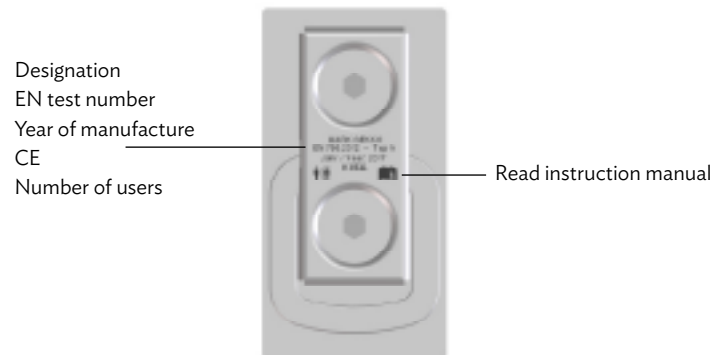
2 PRODUCT DESCRIPTION

2.1 Technical data

- Tested to EN 795: 2012 Class A1 and TS 16415: 2013
- Stainless steel 1.4301, colour: stainless steel
- Weight (without screws): 144 g
- Width: 50 mm
- Length: 90 mm
- Height: 14 mm
- Hole/screw spacing: 38 mm
- Number of users: 1 person
2 people (depending on base and installation position,
see Table 4.1)

2.2 Labelling

- We recommend that you give your product an inventory number and enter it in the inspection sheet.
- Do not remove any stickers or labels from your product!



2.3 Scope of delivery (see Figure 1)

- 1x MARK Gekko (base plate, housing, buckle)
- 2x screws/bolts (incl. nuts)
- 1x box
- 1x instruction manual incl. installation report and inspection report



2.4 Accessories

Must not be combined with non-tested or non-approved accessories.

- Only use this product in conjunction with tested accessories or those recommended by MARK Save A Life that meet the applicable technical standards for PPE and the requirements of the Austrian PPE Safety Regulation.

Classed as tested accessories:

Descender and rescue devices	EN 341
Lifting devices	EN 1496
Retractable fall arrest blocks	EN 360
Guided-type fall arresters on fixed anchor lines	EN 353-1
Guided-type fall arresters on flexible anchor lines	EN 353-2
Rescue overalls	EN 1497
Energy absorbers	EN 355
Carabiners	EN 362
Anchor points	EN 795
Safety harnesses	EN 361
Connectors	EN 354

The accessories listed above can also be viewed at www.savealife.at. You can give us a ring or send us an email too, we'd be delighted to advise you!

2.5 Redundancy

Training is not an emergency situation. Generally speaking, a second safety device should be employed for all exercises (redundancy). Unforeseeable events, technical failure and human error can never be completely excluded! A second MARK Gekko can fulfil the necessary redundancy function, for example.

2.6 Rescue operations

The anchor point must undergo a visual and functional inspection after each rescue operation; only MARK Save A Life or a competent person may perform this inspection.

2.7 Overload

If anchor points have been subjected to stress from a fall or an overload, withdraw them from future service.

2.8 Temperature range

This product can be used in a temperature range of -40 °C to +150 °C.

3 USE

Activities that require use of this product can often be dangerous. Therefore, always observe the hazard warnings and safety notices in these instructions. Please contact us if you have any doubts about anything or find the information difficult to understand.

3.1 Intended use

This product may only be used for people, i.e. to enable them to descend or be rescued,

or to protect them against falling from a height.

- This product may only be used for the purpose described in this instruction manual and only in conjunction with tested (certified) and approved accessories that meet the applicable technical standards for PPE and the requirements of the Austrian PPE Safety Regulation. It must not be combined with other non-approved accessories, as this could put your safety at risk.

Use

Using this product without first reading the instruction manual can result in accidents that can lead to severe injury or even death.

- Read through the instruction manual carefully before you use this product.
- Please contact MARK Save A Life or a competent person if you have any doubts about anything or find the information difficult to understand.

Inspection

Using this product without first inspecting it for damage and function can lead to severe or fatal injury.

- Inspect this product for proper function before and after each use.
- If you think this product is no longer safe, you must not continue to use it.

This product can be used in a variety of ways in different situations. In order to master all these possibilities, the user must be well briefed by a professional, competent person who has been specifically trained in this product.

3.1.1 Anchor device according to EN 795 Class A1

The MARK Gekko anchor point is intended for use as an anchor device in conjunction with personal protective equipment (PPE) recommended by MARK Save A Life.

3.1.2 Multiple use

The MARK Gekko anchor point is also suitable and approved for multiple use. If the anchor point is removed carefully after having been used, it can then be reused later in another location.

The anchor point must be inspected by a competent person before being installed again.

The product must be re-installed according to the MARK Gekko Vario installation instructions. Always create a corresponding installation report each time the product is installed.

3.2 Anchor point

Attachment to the anchor point

If a person is not connected to the anchor point properly, then a fall from a height can result in severe injury or even death.

- Inspect the anchor point at least once a year.
- Only use anchor points that meet the applicable technical standards for PPE and the requirements of the Austrian PPE Safety Regulation.

Anchor points are needed in locations where people may fall from a height. The designers or constructors of buildings or installations are responsible for positioning the anchor points, which must be done according to the applicable statutory regulations, standards and guidelines that apply.

The structural fabric of the building or installation must be suitable for the intended load-bearing capacity. According to standards, the following (static) loads are introduced into the structure via anchor points:

- Restraint system 4 kN
- Fall arrest system 10 kN

3.3 Service life and duration of use

In principle, this product has an unlimited service life. In practice, however, its duration of use depends on several factors. Extreme operating conditions, environmental factors, contamination, damage, storage and transport can all affect the service life of this product.

The product features a fall indicator, which clearly shows whether the anchor device has been subjected to the stress of a fall and must therefore be disposed of as per Point 8.

The visual and functional inspection described in Point 7.1 shows every user whether the anchor device has been deformed by a previous fall and therefore can no longer be used.

If the anchor point buckle will no longer engage easily in its home position or move easily from its home position to its working position, then the anchor device has been deformed by a previous fall and must no longer be used.

If it seems unsafe to continue using this product, you must not use it again under any circumstances; instead, ensure it can no longer be used and replace it with a new anchor point.



WARNING



DANGER

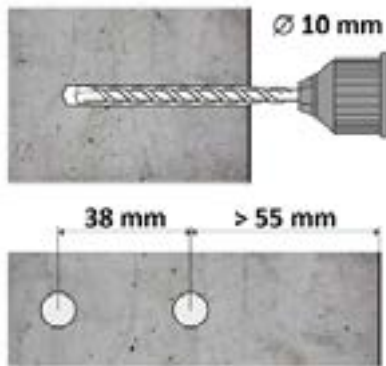
4 INSTALLATION

NOTE

This product may only be installed as per this instruction manual. MARK Save A Life recommends it is installed by a specialist company.

Installation in concrete/reinforced concrete/solid brick/sand-lime brick

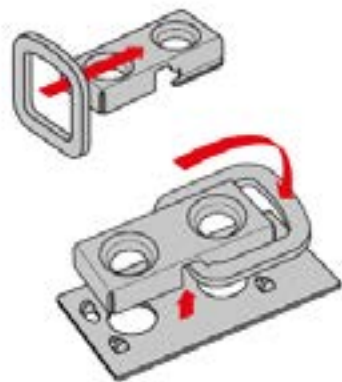
1. Drill holes



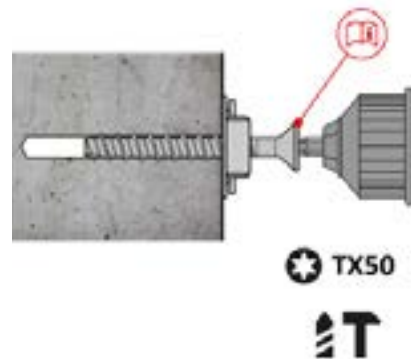
2. Clean holes




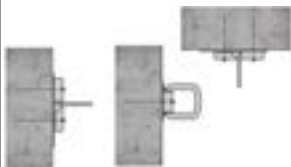
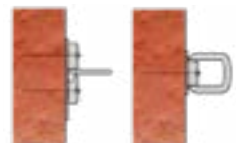

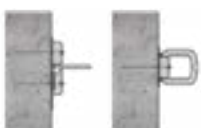
3. Assemble MARK Gekko Speed



4. Install MARK Gekko Speed with drywall screws



4.1 Concrete/Reinforced concrete/Solid brick/Sand-lime brick

	Concrete/ Reinforced concrete	Solid brick/Sand-lime brick
Screws	NIRO ø 10 x (90 - 105mm)	
Drill	Masonry drill bit ø 10mm	
Pre-drill	ø 10 / 100mm deep	
Screw-in depth into base with sufficient load-bearing capacity	≥ 75mm	
Quality and installation base	≥ C20/25 cracked	≥ 35 N/mm ²
Screws	Hilti HUS-CR 10x105 Würth W-BS/A4 10x90 Fischer FBS II 10x100	
Remarks	Clean drilled holes with a suitable brush and blow out	
Distance from edge	≥ 55mm	≥ 200mm
Deformation	Maximum expected deformation due to a fall from a height ≤ 50 mm	Maximum expected deformation due to a fall from a height ≤ 50 mm
Permissible installation positions		
Number of users: 1 person 		
Number of users: 2 persons 		

5 TRANSPORT AND STORAGE

Always observe the information below to ensure safe transport and storage.



NOTE

- Make sure that the packaging is dry and undamaged.
- Store this product in a clean and dry place, where it is protected from mechanical hazards (e.g. sharp-edged objects) and the influence of chemicals (e.g. acids, alkalis).
- Transport this product in the packaging supplied or equivalent packaging.

6 MAINTENANCE

6.1 Repairs

Modifications to this product

Unauthorised repairs or extensions to the product, or tampering with it, can lead to falls from a height and very serious accidents.

- Repairs (e.g. if screws are not seated securely in the installation base) may only be performed by specialist companies.
- Only MARK Save A Life may modify this product or add to it.

If it seems unsafe to continue using this product, do not use it again under any circumstances; instead, have it inspected by MARK Save A Life or an authorised partner.

6.2 Cleaning

- Clean metal parts with a damp cloth.
- Never use chemical detergents.

7 CHECKS



DANGER

Inspection

Using this product without first inspecting it for damage can lead to severe or fatal injury.

- Inspect this product for proper function before and after each use.
- If you think this product is no longer safe, you must not continue to use it.

The inspection by MARK Save A Life or a competent person only applies on the condition that, prior to the inspection:

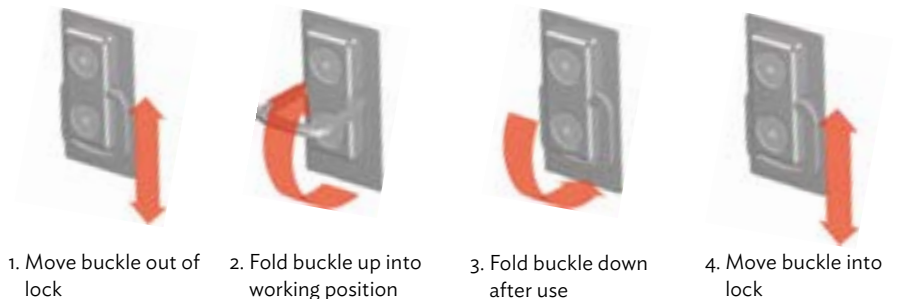
- This product has not been subjected to stress from a fall.
- No components have been adapted or modified.
- This product was not exposed to temperatures below -40°C or above $+150^{\circ}\text{C}$.
- No metal components have fallen on to a hard surface from a height of over 2 m.

7.1 Visual and functional inspection

- An inspection must be carried out at least once a year by a competent person.
- **The visual and functional inspection requires no involvement from external testing authorities.**
Test loads do not need to be attached.
- Check all parts for damage.
- Check that the product labels are legible.
- If the inspection indicates that it may be unsafe to continue using the product, you must not use it again under any circumstances; instead, ensure it can no longer be used (see Point 8) and replace it.



NOTE



1. Move buckle out of lock

2. Fold buckle up into working position

3. Fold buckle down after use

4. Move buckle into lock

7.2 Periodic inspections

The result of this inspection must be entered in the inspection report.

The frequency of the inspection will depend on how often and how intensely the product is used, as well as on the operating environment. If the product is subjected to extremely heavy stress, the inspection must be performed more than once a year.

The MARK Gekko anchor point has been designed for tough working environments. To preserve the product's service life and performance, it needs to be handled carefully and should undergo periodic inspections.

8 DISPOSAL

When do you have to dispose of this product?

- If MARK Save A Life or a competent person has established that it would be unsafe to continue using the product.
- If the visual and functional inspection has identified defects.
- If the buckle will no longer engage in the lock.
- If it seems unsafe to continue using the product.
- If there is deformation (e.g. caused by a fall or a heavy load).
- If there is damage (tears, cracks, etc.)
- If it no longer reflects the state of the art.

Dispose of this product in such a way that it cannot possibly be re-used or misused (e.g. by disconnecting and removing the buckle).

Dispose of this product in an environmentally friendly manner, according to national regulations and standards.

9 RE-SALE

- To ensure it can be used correctly and safely, this product may only be re-sold together with the instruction manual and the inspection report.
- The purchaser must always have the instruction manual and inspection report available in its respective official national language. This is the seller's responsibility.

10 ACCIDENTS

The information below is designed to help you avoid accidents, but is no substitute for experience, personal responsibility and knowledge, nor does it release you from your own individual risk.

- An emergency plan must be drawn up that covers all rescue measures for any emergency situation that may arise.
- Before each use of this product, inspect the application area and the fall space, and minimise or make safe any hazards.



DANGER

10.1 Suspension trauma

Suspension trauma

Suspension trauma (orthostatic shock) can occur if a person falls whilst attached to a fall arrest system, has to make a lengthy descent or is left 'helplessly' hanging by a rope for a long period of time. Suspension trauma can cause lifelong damage to health and can even be fatal.

- Make sure that the casualty is rescued quickly.
- Administer the correct first aid.

Initial signs of suspension trauma:

- Paleness
- Sweating
- Shortness of breath
- Initially, a rise in pulse and blood pressure
- Impaired vision
- Dizziness
- Nausea
- Later, a drop in pulse and blood pressure



Suspension trauma is a medical emergency.

- **Call the emergency services immediately.**
- Free the casualty from his suspended position as quickly as possible.
- Place the casualty on the floor (in a sitting or squatting position) with the **upper body elevated**.
- Release the straps and any tight clothing.
- Always pay attention to the casualty's circulation and breathing.

If the casualty is suspended in the fall arrest system but able to move, he should kick one foot firmly against the bottom of the other and point the toes of the bottom foot upwards, before switching feet. This will keep the blood circulating, albeit only for a short time (a few minutes)!
(Source: BG/GUV-I 869)

We recommend the following products to combat suspension trauma:



MARK Mammoth



MARK Mammoth High-Vis

MARK Mammoth can be used almost like a conventional harness, but offers many advantages and improvements:

- Since the straps are integrated they cannot tangle or twist.
- We positioned the chest and leg straps according to a **5-point system on the overall**. Thus the weight is not only carried by the straps, but also distributed across the overall fabric. A suspension trauma can be considerably delayed. (Tests with the MARK Mammoth allowed us hanging in the harness for 30 minutes and more.).
- With adjustable straps the MARK Mammoth can be **adjusted to the body size**.
- The MARK Mammoth can be machine washed at 40°C.
- further highlights: reflector tapes for optimal visibility, Velcro pockets for storing the most important things, loops for the personal tool belt

Typical applications

- All persons, who need to wear a harness from time to time, such as cleaning worker, electrician repairing equipment on the roof, Workers on aerial platforms, inspections of mountain railway, lift stands and electrical tower, fire-brigade fellow, remove snow loads from roofs, entering shafts.
- But also those persons who regularly wear harnesses: carpenter, roofer, industrial climbers and crane technicians

11 LEGAL INFORMATION

- Do not remove any stickers or labels from this product.
- We recommend that you give this product an inventory number and enter it in the inspection report.

11.1 Declaration of compliance

The manufacturer, MARK Save A Life GmbH, Gleinkerau 23, 4582 Spital am Pyhrn, hereby declares that the product described below ("MARK Gekko Vario")

- complies with the safety regulations for personal protective equipment PPE (EU Directive 89/686/EEC in the latest version) and has been designed according to the following standards

EN 795: 2012 Class A1

- is identical to the PPE that was tested by the accredited and notified testing and inspection authority and safety testing laboratory Allgemeine Unfallversicherungsanstalt, Adalbert-Stifter-Straße 65, 1200 Vienna, with number **PB 2017-4937**
- has gone through the quality assurance system of the accredited and notified testing and inspection authority and safety testing laboratory Allgemeine Unfallversicherungsanstalt, Adalbert-Stifter-Straße 65, 1200 Vienna, with **ID number 0511**

11.2 Exclusion of product liability

We accept no liability for direct, indirect or accidental consequences, nor any type of damage arising from the use of this product or from incorrect information provided by the competent inspector or installation engineer on the inspection report or the installation report.

11.3 Copyright notice

The layout, graphics, pictograms and photographs, as well as all other text and image content found in this instruction manual are protected by copyright.

11.4 Trademark notice

All trademarks are the property of their respective owners.

12 DECLARATION OF CONFORMITY

EG-KONFORMITÄTSERKLÄRUNG
EG-DECLARATION OF CONFORMITY



MARK Save A Life GmbH erklärt in alleiniger Verantwortung, dass das
MARK Save A Life GmbH declares in full responsibility, that the

Produkt: MARK Gekko Speed
(Schutz gegen Absturz - Anschlageneinrichtung (Klasse A1))
product: MARK Gekko Speed
(Protection against falls from a height - Anchor point (Class A1))

Zertifizierung: 2017
certification: 2017

auf die sich diese Erklärung bezieht, mit der / den folgenden Norm(en) oder normativen Dokument(en)
Übersetzung: corresponds to following standards

EN 795: 2012 Klasse A1 (Class A1)
TS 15475: 2013

Baumustergeprüft gemäß den Bestimmungen der PSA-Verordnung 2016/425
Type-tested according to regulations of the PSA-directive 2016/425

Kennnummer: 0591 STP-ALVA
MARK Save A Life GmbH unterliegt dem Verfahren nach Modul C2 der PSA-Verordnung
2016/425 zur jährlichen Qualitätsprüfung.
Diese wurde durch 0591 STP-ALVA durchgeführt.

Identification number: 0591 STP-ALVA
MARK Save A Life is subject to the procedure for annual quality inspection referred to
module C2 of the PSA-directive 2016/425, which was performed by ALVA 0591 STP.

Ing. Rudolf Mark
Geschäftsführer / General Manager

Spital am Pyhrn, 08-2018



MARK Save A Life GmbH
Gleibitzau 22
4102 Spital am Pyhrn
Austria / Europe

Tel: +43 7543 8022-0
Fax: +43 7543 8040-111
Mail: mark@savea-life.at
Web: www.savea-life.at

FN/Company no.: FN 341708b
UID/Value added tax: ATU 65719229
HQ/Competent court: Landgericht Linz
IG/General Manager: Ing. Rudolf Mark

13 INSTALLATION REPORT

INSTALLATION REPORT
MARK Gekko Speed anchor point

Complete the installation report carefully!
Keep the installation report for future reference as per BauKG §8!

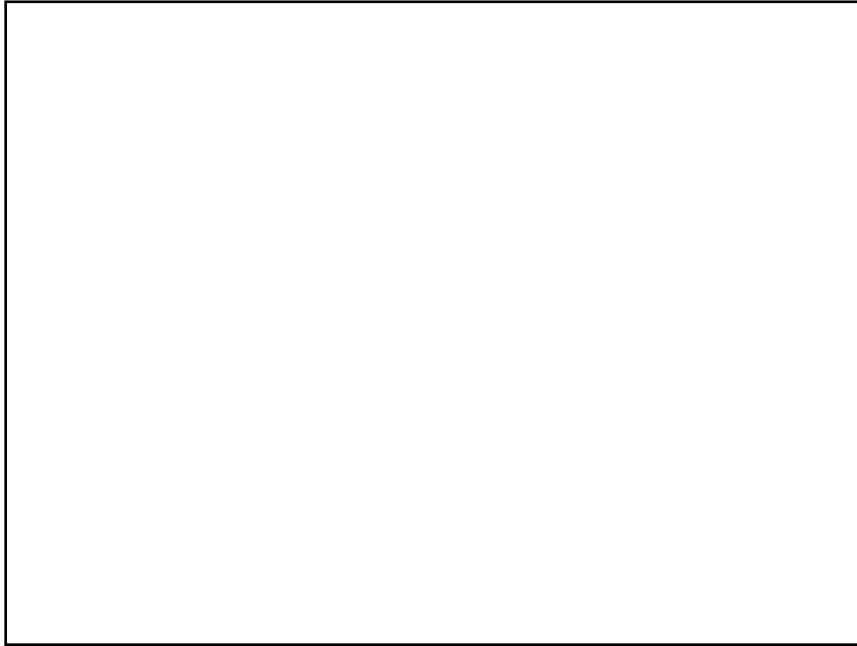
Client	
Responsible party/contact	
Signature, company stamp	
Contractor	
Responsible party/contact	
Signature, company stamp	

Version (for technical details, see pp. 12-13)	
Concrete/ Reinforced concrete	
Solid brick/Sand-lime brick	

Product	MARK Gekko Speed anchor point	Installation date	
Batch number (acc. to delivery note)		Comments:	
Inventory number			

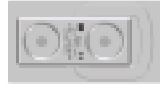
To inspect	Inspected/OK
<i>Installation base</i>	
Fixed	
With sufficient static load-bearing capacity	
<i>Installation</i>	
Specified distance from edge observed	
Prescribed screw-in depth acc. to instruction manual observed	
Specified screws used	
Any insulating layers or plaster coats taken into account	
Photographs taken	
<i>MARK Gekko Vario</i>	
Securely anchored in installation base	
No corrosion	
No cracks	
No deformation	
Buckle can be opened by tapping it.	
Buckle engages in the lock with little force.	
<i>Instruction manual</i>	
Available in full	

Layout plan with position of anchor devices:



NOTES

NOTIZEN



INSPECTION PROTOCOL/Visual inspection

Anchor point MARK Gekko Speed

Annual inspection

14 INSPECTION REPORT

This product must be inspected at least once a year by a qualified person. Depending on the environment and intensity of use also more often. The inspection is subject to following conditions: The product has been installed according to the user manual provided by the manufacturer, components of this product have not been modified or altered and it has not been exposed to temperatures below -40 °C or above + 150 °C. Fill in the inspection protocol carefully and keep it stored according to legal requirements.

	2021	2022	2023	2024	2025	2026	2027	2028	2029	2030
Installation										
1. Installation protocol complete	<input type="checkbox"/>	<input type="checkbox"/>	<input type="checkbox"/>	<input type="checkbox"/>	<input type="checkbox"/>	<input type="checkbox"/>	<input type="checkbox"/>	<input type="checkbox"/>	<input type="checkbox"/>	<input type="checkbox"/>
2. Photo record of installation available	<input type="checkbox"/>	<input type="checkbox"/>	<input type="checkbox"/>	<input type="checkbox"/>	<input type="checkbox"/>	<input type="checkbox"/>	<input type="checkbox"/>	<input type="checkbox"/>	<input type="checkbox"/>	<input type="checkbox"/>
Annually										
3. Anchor point available and product identification readable	<input type="checkbox"/>	<input type="checkbox"/>	<input type="checkbox"/>	<input type="checkbox"/>	<input type="checkbox"/>	<input type="checkbox"/>	<input type="checkbox"/>	<input type="checkbox"/>	<input type="checkbox"/>	<input type="checkbox"/>
4. User manual available	<input type="checkbox"/>	<input type="checkbox"/>	<input type="checkbox"/>	<input type="checkbox"/>	<input type="checkbox"/>	<input type="checkbox"/>	<input type="checkbox"/>	<input type="checkbox"/>	<input type="checkbox"/>	<input type="checkbox"/>
5. Sub-structure firm and stable	<input type="checkbox"/>	<input type="checkbox"/>	<input type="checkbox"/>	<input type="checkbox"/>	<input type="checkbox"/>	<input type="checkbox"/>	<input type="checkbox"/>	<input type="checkbox"/>	<input type="checkbox"/>	<input type="checkbox"/>
6. No corrosion at the anchor point visible	<input type="checkbox"/>	<input type="checkbox"/>	<input type="checkbox"/>	<input type="checkbox"/>	<input type="checkbox"/>	<input type="checkbox"/>	<input type="checkbox"/>	<input type="checkbox"/>	<input type="checkbox"/>	<input type="checkbox"/>
7. No cracks or tears at the anchor point visible	<input type="checkbox"/>	<input type="checkbox"/>	<input type="checkbox"/>	<input type="checkbox"/>	<input type="checkbox"/>	<input type="checkbox"/>	<input type="checkbox"/>	<input type="checkbox"/>	<input type="checkbox"/>	<input type="checkbox"/>
8. No deformation at the anchor point detectable	<input type="checkbox"/>	<input type="checkbox"/>	<input type="checkbox"/>	<input type="checkbox"/>	<input type="checkbox"/>	<input type="checkbox"/>	<input type="checkbox"/>	<input type="checkbox"/>	<input type="checkbox"/>	<input type="checkbox"/>
9. Buckle can be folded out by lapping	<input type="checkbox"/>	<input type="checkbox"/>	<input type="checkbox"/>	<input type="checkbox"/>	<input type="checkbox"/>	<input type="checkbox"/>	<input type="checkbox"/>	<input type="checkbox"/>	<input type="checkbox"/>	<input type="checkbox"/>
10. Buckle folds back and locks again without increased effort	<input type="checkbox"/>	<input type="checkbox"/>	<input type="checkbox"/>	<input type="checkbox"/>	<input type="checkbox"/>	<input type="checkbox"/>	<input type="checkbox"/>	<input type="checkbox"/>	<input type="checkbox"/>	<input type="checkbox"/>
11. All screws checked for tightness	<input type="checkbox"/>	<input type="checkbox"/>	<input type="checkbox"/>	<input type="checkbox"/>	<input type="checkbox"/>	<input type="checkbox"/>	<input type="checkbox"/>	<input type="checkbox"/>	<input type="checkbox"/>	<input type="checkbox"/>
Result of the visual inspection (If points 1-11 are checked, 12 can be checked as well - otherwise 13)										
12. Anchor point is in proper condition and can be used	<input type="checkbox"/>	<input type="checkbox"/>	<input type="checkbox"/>	<input type="checkbox"/>	<input type="checkbox"/>	<input type="checkbox"/>	<input type="checkbox"/>	<input type="checkbox"/>	<input type="checkbox"/>	<input type="checkbox"/>
13. The anchor point is damaged or no longer functional and was made inoperative (by removing the buckle). The anchor point must be replaced.	<input type="checkbox"/>	<input type="checkbox"/>	<input type="checkbox"/>	<input type="checkbox"/>	<input type="checkbox"/>	<input type="checkbox"/>	<input type="checkbox"/>	<input type="checkbox"/>	<input type="checkbox"/>	<input type="checkbox"/>
Remarks:										
Customer:										
Signature customer:										
Date of inspection: month/year										
Signature qualified person:										

MARK Save A Life GmbH, Gleinkerau 23, A-4602 Spital am Pyhrn, +43 7563 8002 111, mark@saveallife.at

Making your life safer.



Subject to technical modifications. The latest version shall always apply. We only guarantee that our materials are in perfect working order.

All rights reserved. It is only permitted to make changes to, reprint or photographically reproduce this document, in whole or in part, with the express consent of MARK Save A Life GmbH, Gleinkerau 23, 4582 Spital am Pyhrn, Austria.



**MARK Save A Life GmbH
Gleinkerau 23
4582 Spital am Pyhrn
Österreich / Europa**

**Tel: +43 7563 8002 111
Fax: +43 7563 8041 111
mark@savealife.at
www.savealife.at**