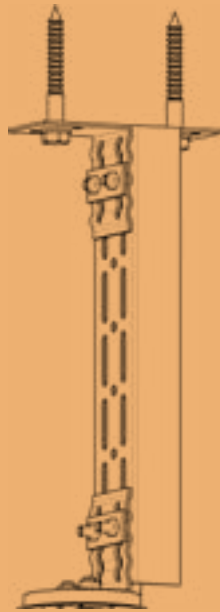




MARK Secure 3 Instruction manual

Anchor point for solid wood ceiling, suspended ceiling system, socket installation
Anchor device type A according to EN 795:2012



English translation of the original German instruction manual
Keep for future reference
Version 1.0

MARK Save A Life GmbH
Gleinkerau 23
4582 Spital am Pyhrn
Austria/Europe
Tel. +43 (0) 7563 8002 111
Fax +43 (0) 7563 8041 111
mark@savealife.at
www.savealife.at

- Read through the instruction manual carefully before you use this product for the first time.
- Undergo training on the use of this product.
- Check this product for proper function before and after each use.
- Complete the installation report included with the product carefully.
- Always keep the instruction manual, the installation report and the inspection report together with the other relevant product documents for future reference.

Do you have questions about this product? Do you have any requests or suggestions? Just give us a call or send us an email!

Customer Service:
 MARK Save A Life GmbH
 Gleinkerau 23
 4582 Spital am Pyhrn
 Austria/Europe
 Tel.: +43 (0) 7563 8002 111
 Fax: +43 (0) 7563 8041 111
 mark@savealife.at
 www.savealife.at
 Manufacturer:
 MARK Save A Life GmbH
 Gleinkerau 23
 4582 Spital am Pyhrn
 Country of origin: Austria

Dear Customer,

Congratulations on purchasing this product from MARK Save A Life GmbH. We have manufactured and tested this product with the utmost care, keeping to the strictest quality guidelines, and therefore created the basis for safe use. Now it is over to you to make sure it is used correctly.

Activities that require use of this product can often be dangerous. There are also many potential ways of using it incorrectly and it is not possible for us to state them all here or even to come up with an exhaustive list. This instruction manual contains information pertaining to the safety and function of this product and its applications. However, this information is no substitute for experience, personal responsibility and knowledge, nor does it release the user from their own individual risk.

You may only use this product if you are physically and mentally capable of doing so, if you have read and understood this instruction manual and the installation report, and if you have undergone training on the use of the product.

The instruction manual, the installation report and the inspection report are available to download at www.savealife.at.

Contents

Legal information	4
Use	4
Overview, scope of delivery and technical details	7
MARK Secure 3 installation instructions	9
Transport and storage	12
Maintenance and cleaning	12
Testing	12
Disposal	13
Resale	13
Accidents	13
Installation reports	16
Inspection report	19

1. Legal information

1.1 Declaration of compliance

The manufacturer, MARK Save A Life GmbH, Gleinkerau 23, 4582 Spital am Pyhrn, Austria, hereby declares that the product described below, "MARK Secure 3", complies with the requirements formulated in EN 795:2012 anchor point type A, which is also the subject of the inspection report number ZP/B141/17-R1.

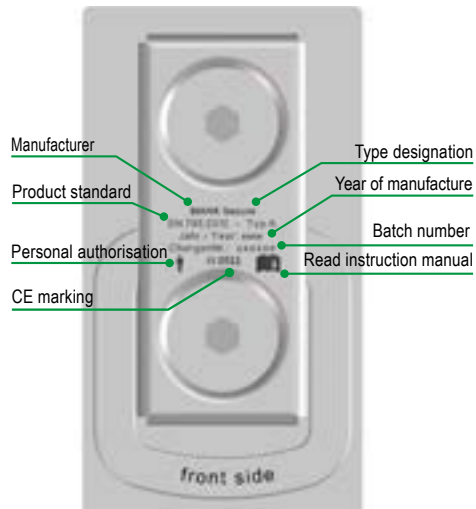
Type approval testing by: DEKRA Exam GmbH, Dinnendahlstraße 9, 44809 Bochum, Germany.

1.2 Labelling

Your product is labelled with a batch number.

Assign your product an inventory number and enter it in the installation report.

Do not remove any labels from your product!



1.3 Exclusion of product liability

We accept no liability for direct, indirect or accidental consequences, nor any type of damage arising from the use of this product or from incorrect information provided by the competent inspector or installation engineer on the installation report or the inspection report.

1.4 Copyright notice

The layout, graphics, pictograms and photographs, as well as all other text and image content found in this instruction manual are protected by copyright.

2. Use

Activities that require use of this product can often be dangerous. Therefore observe the safety notices. Please contact our customer service if you have any doubts or find the information difficult to understand. Ensure that the fall space is calculated so that in the event of a fall you do not hit an obstacle or impact on the floor.

- Protect the product from sharp-edged objects, welding sparks, sources of fire, chemicals, oils, acids, etc.
- Draw up a rescue plan that includes the sequence and the execution of rescue measures.

2.1 Intended use

This product may only be used for the purpose described in this instruction manual (see Point 2.1.1) and only in conjunction with tested and approved components. It must not be combined with other components, as this could put your safety at risk. MARK Secure 3 must be used with Knauf system components or with similar products with the same properties.

You may only use this product if you are physically and mentally capable of doing so, i.e., for example, not if you are under the influence of drugs or alcohol, are suffering from mental strain or have other mental or physical impairments. In any case, the intended use as protection against a fall from height requires full physical and mental aptitude.

2.1.1 Purpose of the product as an anchor device according to EN 795:2012 type A

The product may be used within the intended use conditions on the specified wall and attachment shell systems from Knauf Gesellschaft m.b.H., or similar products with the same properties, for the intended purpose as protection against a fall from height.

Note:

This product is an anchor device, the purpose of which is to protect the user from a fall from height, either by preventing a fall (restraint system) or by arresting a free fall (fall arrest system).

The MARK Secure 3 anchor point is intended for use as an anchor device in conjunction with personal protective equipment (PPE) recommended by MARK Save A Life GmbH (retractable fall arrest blocks, safety overalls and connectors from MARK Save A Life).

Classed as tested accessories: Test standard

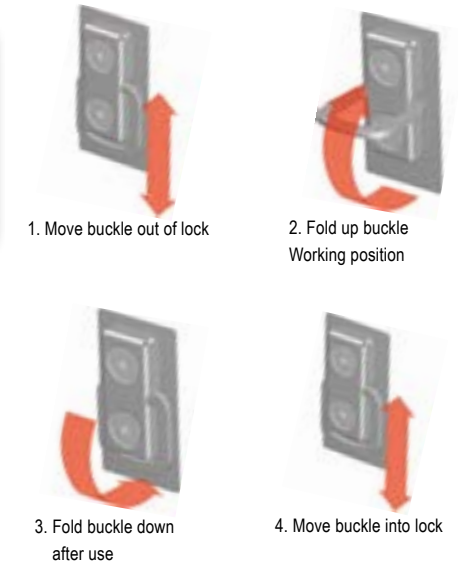
Descender and rescue devices	EN 341
Lifting devices	EN 1496
Retractable fall arrest blocks	EN 360
Guided-type fall arresters on flexible anchor lines	EN 353-2
Energy absorbers	EN 355
Carabiners	EN 362
Safety harnesses	EN 361
Safety nets	EN 1263

If it seems unsafe to continue using this product, (see Point 8.1) you must not use it again under any circumstances.

Before every use of the product, the user must carry out a visual inspection according to Point 7 of this manual to ensure that the product is in serviceable condition.

2.1.2 Use of the anchor point

In order to use the anchor point, the buckle is released from the lock and folded up. The connector of the PPE can be suspended.



In principle, the load from a fall from height may be in any direction protruding from the wall surface or parallel to the wall.

The total position change of the anchor point to be expected in the event of a fall from height (consisting of the deformation of the metal stud partition or attachment shell and the anchor point itself) is a maximum of 15 cm in the event of a vertical load direction parallel to the wall surface.

If there is a fall-related load when a person falls vertically to the wall surface (e.g. in the event of an unintentional redirection of the load), it must be anticipated that there will be a total position change of the anchor point (consisting of the deformation of the metal stud partition or attachment shell and the anchor point itself) of a maximum of 15% of the respective wall height.

In principle, the product may be installed at any position of the specified Knauf or similar metal stud partitions and attachment shells that is selected as being sensible for the intended use.

When using the product, the user must be kitted out with equipment that limits the maximum dynamic forces that impact on their body during a fall arrest process to a maximum of 6 kN.

2.2 Service life and duration of use

This product has an unlimited service life. In practice, however, its duration of use depends on several factors.

- Extreme operating conditions, environmental factors, contamination, damage, storage and transport can all reduce the service life of this product.
- The product features a fall indicator, which clearly shows whether the anchor device has been subjected to the stress of a fall and must therefore be disposed of as per Point 8.
- The visual and functional inspection described in Point 7 shows every user whether the anchor device has been deformed by a previous fall and therefore can no longer be used.

If the anchor point buckle will no longer engage easily in its home position or move easily from its home position to its working position, then the anchor device has been deformed by a previous fall and must no longer be used.

2.3 Qualification of persons

This product may only be used by people who have read and understood this instruction manual, or by people who are being supervised by a trained, skilled person.

2.4. Training

We would be happy to provide you with information about training. If you are interested, please contact us:

MARK Save A Life GmbH

Gleinkerau 23

4582 Spital am Pyhrn

Austria/Europe

Tel.: +43 (0) 7563 8002 111

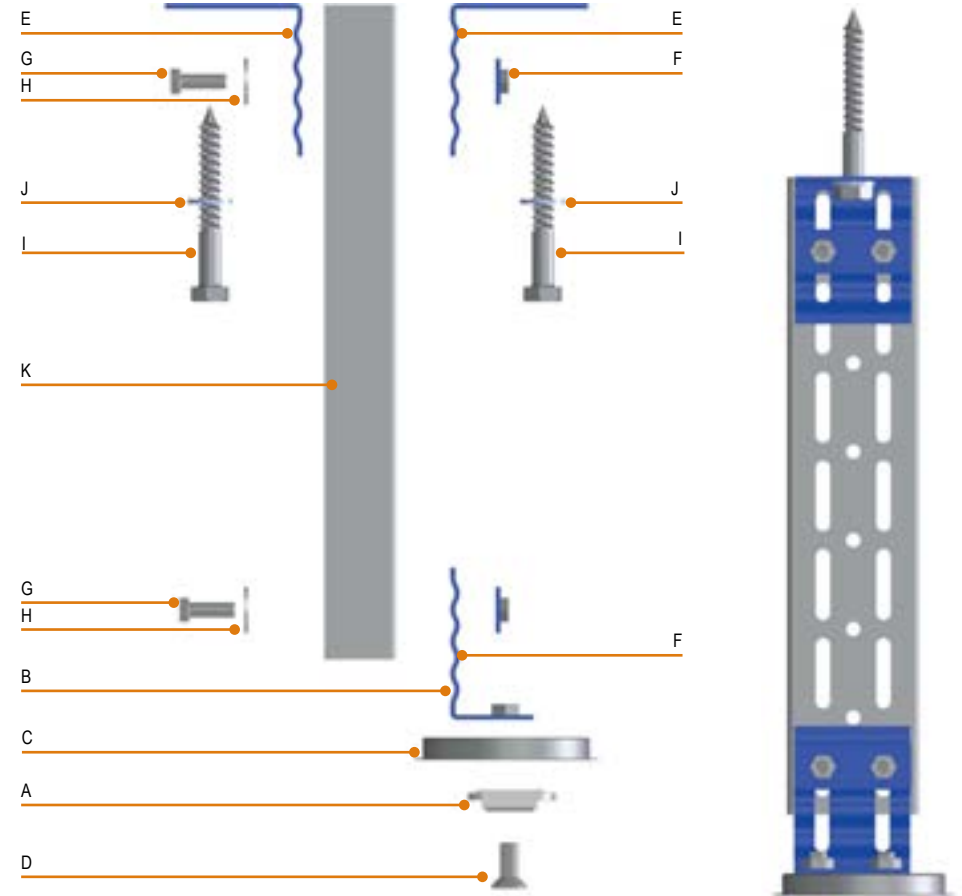
Fax: +43 (0) 7563 8041 111

mark@savealife.at

www.savealife.at

3. Overview, scope of delivery and technical details

3.1 Overview



3.2 Scope of delivery:

A	1 x MARK Secure anchor point	H	4 x washers 8.4 x 25 galvanised
B	1 x absorber (incl. centring hole)	I	2 x hexagon head wood screws 12 x 100 galvanised
C	1 x socket	J	2 x washers for diameter: M12
D	2 x stainless-steel screws countersunk head M10 x 25	K	Knauf UA profile 75 x 40 x 2 mm or similar product with the same properties (not included in the scope of delivery)
E	2 x deformation brackets		
F	2 x counterplates (2-hole)		
G	4 x screws M8 x 25 8.8 galvanised		

3.3 Technical details

Installation base, components, tools, operating conditions	
Approved for Knauf systems or similar products with the same properties	D11, D12, D13 and AMF mineral fibre ceilings
Test standard, permissible number of people	EN 795:2012, 1 person
Fasteners	2 x stainless-steel screws, countersunk head M10x25 2 x deformation brackets 2 x hexagon head wood screws 12 x 100 galvanised 2 x washers for diameter M12 4 x screws M8 x 25 8.8 galvanised 4 x washers 8.4 x 25 galvanised 2 x counterplates 2-hole
Drill	Wood drill bit 6 mm
Screw-in depth	100 mm
Hole cutter	95 mm with centring drill 6 mm
Torque wrench	13 mm nut and 19 mm nut, Allen socket 6 mm
Tightening torques	M8: 27 Nm, M10: 20 Nm Hexagon head wood screws: tighten to hand-tight, depending on the firmness of the installation base
Quality of the installation base (static load-bearing capacity of the structure must be guaranteed)	≥ C 24
Addition	Installation only on load-bearing structures
Distance from edge	≥ 50 mm
Thickness of non-load-bearing cladding (plasterboard, insulation)	1-3 layer cladding 12.5 mm/35 mm MF or WW
Permissible load directions	Vertical
Separation height	110 mm to 3000 mm
Maximum expected deformation due to a fall from a height	≤ 150

4. MARK Secure 3 installation instructions

Solid wood ceiling, suspended ceiling system, socket installation

Anchor device type A according to EN 795:2012 for installation in conjunction with ceiling structures suspended from load-bearing wooden ceilings such as the Knauf ceiling systems D11, D12, D13, or AMF mineral fibre ceilings. Suitable for vertical load due to a fall from height.

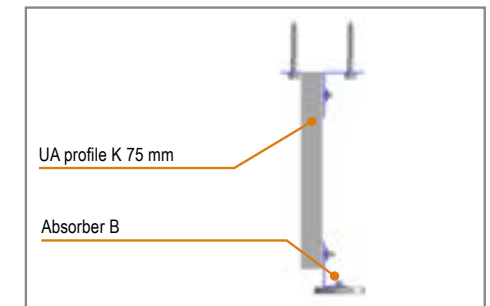
Installation:

This product may only be installed as per this instruction manual. MARK Save A Life GmbH recommends it is installed by a specialist company.

Maximum expected total deformation of the installation base and the anchor point due to a fall from a height: 15 cm vertical. Adjust the length of the connector based on conditions on site.



Fig. Side view

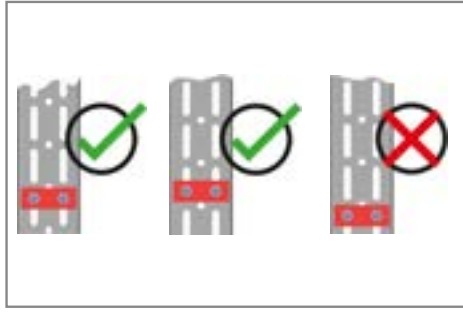


1. Mark the position of anchor point **A** on the load-bearing structure. In the case of grid ceilings, in each case the anchor point is positioned in the centre of the field of a MF or WW plate.
2. Measure the separation height of the suspended ceiling (distance between lower edge of unfinished ceiling and upper edge of suspended ceiling). Cut UA profile **K** to this measurement.



3. Screw on two deformation brackets **E** back to back on the UA profile **K** with two M8 screws **G** and a counterplate **F** (do not fully tighten the screws at this point).
Align the deformation bracket **E** to the slots of the UA profile **K**, in which case the position of the M8 screws **G**, washer **H** and counterplates **F** must always be chosen to be similar to Figure 3.1.

Figure 3.1



4. The M8 screws **G** must not be inserted at the open end of the slots of the UA profile **K**.
If there are open slots at the top or bottom end of the UA profile **K**, then the next slot pair with closed ends must be used.



7. If necessary, first cut out a hole roughly the size of a coin at the calibrated position, align the hole cutter with the central hole of the absorber **B** and cut out the circular hole. Secure ceiling cladding and level out or insert the acoustic plate.



8. Adjust the ceiling cladding (e.g. second layer), calibrate the central point of the absorber **B** and cut out an opening with a hole cutter.
During this process, the central hole of the socket can be used as a template for marking the correct position of the drilled holes.



10. Completion:
Secure socket **C** and anchor point **A** with 2 countersunk screws **D**. When doing so, the "front side" marking on the buckle must be visible.
If necessary, correct the position of the absorber **B** so that the socket **C** is flush with the soffit (visual inspection).



11. Complete the installation report and inspection report (enclosed). Observe periodic inspections. Observe instructions for use for MARK Secure 3 on the following pages.



5. Secure deformation bracket **E** to the load-bearing structure using two hexagon head wood screws 12/100 I incl. washers **J**.



6. Screw absorber **B** to the other end of the UA profile **K** using two M8 screws **G** and a counterplate **F** (do not fully tighten the screws **G** at this point, see Fig. 3.1.)
In the event of single or even double ceiling cladding, the absorber is aligned with the bottom of the substructure. Tighten M8 screws **G** on the top and bottom (tightening torque 27 Nm).

5. Transport and storage

Store and transport this product in dry conditions and protected e.g. against mechanical and chemical influences.

6. Maintenance and cleaning

If it is stored and installed correctly and not subjected to a load, this product has an unlimited service life. The service life may decrease depending on the type of use and external influences. The product must be cleaned using water. Acidic cleaning agents must be avoided. After a fall, the anchor device must be taken out of use (see Point 8).

6.1 Repairs

Repairs (e.g. if screws are not seated securely in the installation base) may only be performed by specialist companies. Only MARK Save A Life GmbH may modify or add to the product described in this instruction manual.

6.2 Spare parts

If you need spare parts, please contact:
MARK Save A Life GmbH
Gleinkerau 23
4582 Spital am Pyhm
Austria/Europe
Tel.: +43 (0) 7563 8002 111
Fax: +43 (0) 7563 8041 111
mark@savealife.at
www.savealife.at

7. Testing

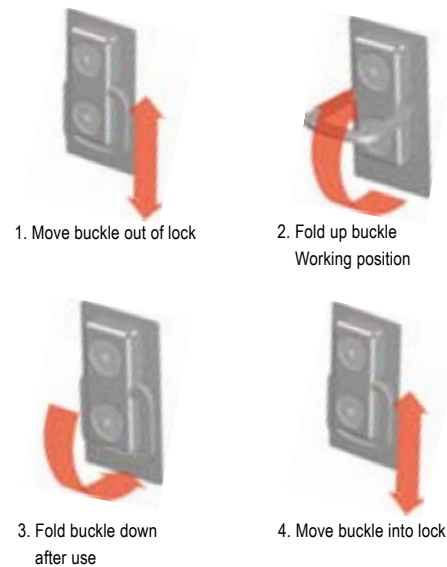
7.1 Installation report and inspection report

The installation report and the inspection report are included in the product packaging and, if necessary, are available to download at www.savealife.at.

- Complete the installation report and inspection report carefully.
- Observe the manufacturer's information according to the instruction manual.

7.2 Visual and functional inspection

The visual and functional inspection is only valid subject to the reservation that components of the product have not been modified or altered.



- An inspection must be carried out at least once a year by a competent person.
- **The visual and functional inspection requires no involvement from external testing authorities. Test loads do not need to be attached.**
- Check that the product labels are legible.
- If the inspection indicates that it may be unsafe to continue using the product, you must not use it again under any circumstances; instead, ensure it can no longer be used (see Point 8) and replace it.
- The result of this inspection must be entered in the inspection report.

The frequency of the inspection will depend on how often and how intensely the product is used, as well as on the operating environment. If the product is subjected to extremely heavy stress, the inspection must be performed more than once a year.

8. Disposal

MARK Save A Life GmbH is committed to protecting the environment. We endeavour to consider the environment when manufacturing our products and hope that our customers will use and dispose of them in an environmentally responsible manner.

8.1 When do you have to dispose of this product?

- If the visual and functional inspection has identified defects.
- If the buckle will no longer engage in the lock.
- If it seems unsafe to continue using the product.
- If there is damage (tears, cracks, etc.).
- If there is deformation (e.g. caused by a fall or a heavy load).
- If it no longer complies with state-of-the-art technology.

8.2 How should you dispose of this product?

Dispose of this product in such a way that it cannot possibly be re-used (by snapping off the buckle). Dispose of this product as recyclable used metal, according to national regulations and standards.

9. Resale

This product may only be resold with the instruction manual, installation report and inspection report. The purchaser must always be given these documents in their respective official national language. This is the seller's responsibility.

10. Accidents

Activities that require use of this product can often be dangerous. There are also many potential ways of using it incorrectly and it is not possible for us to state them all here or even to come up with an exhaustive list. The information below is designed to help you avoid accidents, but is no substitute for experience, personal responsibility and knowledge, nor does it release you from your own individual risk.

- Check the application area and fall space for potential hazards before every use of this product.
- Before every use, think about how rescue measures can be carried out safely and effectively (see Point 2.1.1).
- Draw up a rescue plan that covers all rescue measures for all possible emergency situations.

10.1 Suspension trauma

Suspension trauma (orthostatic shock) can occur in the event of a fall or a lengthy descent. Suspension trauma can cause lifelong health consequences and can even be fatal.

10.1.1 How can you recognise suspension trauma?

- Paleness, sweating
- Initially, a rise in pulse and blood pressure
- Shortness of breath
- Impaired vision
- Dizziness, nausea
- A drop in pulse and blood pressure

Installation report for MARK Secure 3

Solid wood ceiling, suspended ceiling system, socket installation

The completed installation report for the anchor points listed below confirms that installation has been carried out properly in line with the instruction manual for the product.

Construction project: _____

Component: _____

Storey/section: _____

Room no.: _____

Installer: _____

No. of anchor points according to plan: _____

Installation situation (sketch/photo):

Installation report for MARK Secure 3

Solid wood ceiling, suspended ceiling system, socket installation

The completed installation report for the anchor points listed below confirms that installation has been carried out properly in line with the instruction manual for the product.

Construction project: _____

Component: _____

Storey/section: _____

Room no.: _____

Installer: _____

No. of anchor points according to plan: _____

Installation situation (sketch/photo):

Installation	<input checked="" type="checkbox"/>
MARK Secure 3 construction kit supplied in full	<input type="checkbox"/>
Instruction manual read and understood	<input type="checkbox"/>
Solid wood installation base ≥ C 24	<input type="checkbox"/>
Distance of the drilled holes from the edge ≤ 50 mm	<input type="checkbox"/>
Screw-in depth of the wood screws ≥ 100 mm	<input type="checkbox"/>
Drilled holes = 6 mm	<input type="checkbox"/>
All parts of the construction kit used in full.	<input type="checkbox"/>
All screws tightened to nominal torque	<input type="checkbox"/>
Installation carried out according to instruction manual	<input type="checkbox"/>
Safety for use confirmed	<input type="checkbox"/>

Installation date: _____

Client/project manager _____ Contractor/project manager _____

Name, company signature _____ Name, company signature _____



INSPECTION REPORT/visual inspections

Anchor point type A according to EN795:2012 MARK Secure 3 - No.: _____

Initial inspection, periodic inspection

This product must be inspected at least once a year by a competent person, but depending on the specific environment and details it may need to be inspected more frequently. This inspection is only valid if the procedure, instructions etc. has been read and understood by the user and the user is competent in the use of the product. The user must be trained and qualified for inspection according to the specific requirements of the product. The user must be trained and qualified for inspection according to the requirements of EN795:2012. The user must be trained and qualified for inspection according to the requirements of EN795:2012. The user must be trained and qualified for inspection according to the requirements of EN795:2012.

	Initial inspection	2022	2023	2024	2025	2026	2027	2028	2029	2030	2031	2032
1. Installation manual completed (see instruction)	<input type="checkbox"/>											
2. Photo documentation available	<input type="checkbox"/>											
3. Anchor point available	<input type="checkbox"/>	U	U	U	U	U	U	U	U	U	U	U
4. Installation manual available	<input type="checkbox"/>	U	U	U	U	U	U	U	U	U	U	U
5. Installation manual 2022 and 2023	<input type="checkbox"/>	U	U	U	U	U	U	U	U	U	U	U
6. No screws can be identified on the anchor point	<input type="checkbox"/>	U	U	U	U	U	U	U	U	U	U	U
7. No screws can be seen on the anchor point	<input type="checkbox"/>	U	U	U	U	U	U	U	U	U	U	U
8. No identification of the anchor point can be identified	<input type="checkbox"/>	U	U	U	U	U	U	U	U	U	U	U
9. Details can be captured by tapping it	<input type="checkbox"/>	U	U	U	U	U	U	U	U	U	U	U
10. Details captured in the technical file	<input type="checkbox"/>	U	U	U	U	U	U	U	U	U	U	U
11. All details captured in technical file	<input type="checkbox"/>	U	U	U	U	U	U	U	U	U	U	U
Result of this inspection (if points 3-11, or for the initial inspection 1-11, are assessed as 'U', then 12 can be assessed as 'U', otherwise 'N')		U	U	U	U	U	U	U	U	U	U	U
12. Anchor point is present, correct and safe to use		U	U	U	U	U	U	U	U	U	U	U
The anchor point is damaged or no longer suitable for use, has been removed (inspection for snapping off and re-securing the anchor)		U	U	U	U	U	U	U	U	U	U	U
The anchor point must be replaced												
Comments												
Inspection date: Month/year												
Name of expert inspector												
Signature of expert inspector												

Making your life safer.

Subject to technical modifications.
The latest version shall always
apply.

We only guarantee that our
materials are in perfect working
order.

All rights reserved. It is only
permitted to make changes to,
reprint or photographically
reproduce this document, in whole
or in part, with the express consent
of MARK Save A Life GmbH,
Gleinkerau 23, 4582 Spital am
Pyhrn.



MARK Save A Life GmbH
Gleinkerau 23
4582 Spital am Pyhrn
Austria/Europe

Tel: +43 (0) 7563 8002 111
Fax: +43 (0) 7563 8041 111
mark@savealife.at
www.savealife.at